



Econo-Finish® Cabinet Systems

Section D: Table of Contents

Cabinet Models	D1
Options	D1
Parts	
Cabinet Assembly	D2
Dust Collectors	D3
Blast Guns	D4

Econo-Finish® Cabinet Models

MODEL DESCRIPTION	PART NUMBER	DOOR TYPE	DUST COLLECTION	BLOWER MOTOR	SHIPPING WEIGHT
EF-2430B	114013	Single	DC-16	.98 hp	295 lbs
EF-2436B	115013	Double	DC-16	.98 hp	315 lbs
EF-2448B	116013	Double	DC-16	.98 hp	365 lbs
EF-2436A	115011	Double	DC-30	.98 hp	325 lbs
EF-2448A	116011	Double	DC-30	.98 hp	385 lbs

Econo-Finish® Options

Description	PART NUMBER	
	B Series	A Series
Electrical, 240V, 50-60Hz, Single-phase, 2 or 3 wire, transformer <i>(Factory installed only)</i>	140341	140341
C.S.A. Canadian Certification <i>(Factory installed only)</i>	140433	140433
Interlock safety switch for single or lower door, depending on series	140377	140377
Pressure regulator, 3/8" NPT <i>(Requires nipple, PN 545972)</i>	517301	Standard
Gauge for pressure regulator, 1/4" NPT	550242	Standard
Di-Carb™ nozzle, 1/4", for glass or steel media	501311	501331
Boron carbide nozzle, 1/4", for harsh media <i>(Requires nozzle adapter, PN 504921)</i>	502101	502071
Window plastic	509191	509191
Window screen	509201	509201
Safety matting, 2 feet wide <i>(Specify length.)</i>	509002	509002
Static strap	510411	510411
Gun holder	NA	140400

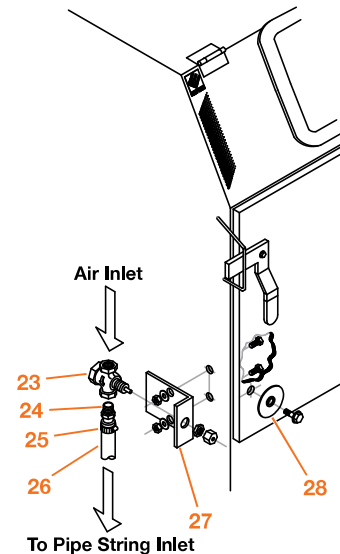
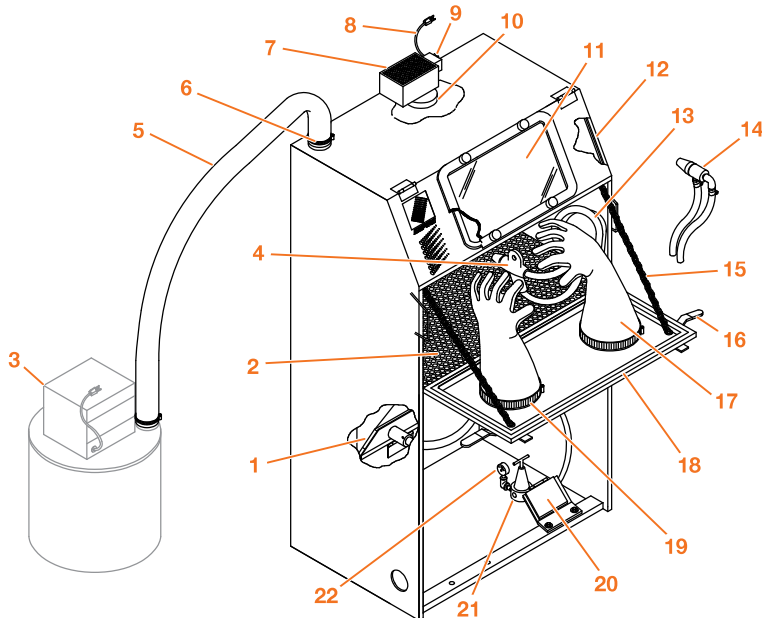


Never use silica sand in any Empire equipment.



Parts: Econo-Finish® Cabinet Assemblies

Guide to Part Numbers Models since 1991



Optional Blast Interlock for Main Door

Item	Description	Part#
1	Gasket, clean-out door	580081
2	Floor, 2430 cabinets	771721
	Floor, 2436 cabinets	771731
	Floor, 2448 cabinets	771741
3	Dust collector (See page D3 for details.)	
4 *	Blast gun, MH-2A (See page D4 for details.)	
5	Dust hose, 3" I.D. x 6'	515941
6	Clamps for 3" dust hose (2 required)	520521
7	Filter	510495
	Retaining screen	510481
8	Line cord with plug	529601
9 †	Switch, 20 Amp.	534421
	Switch, 15 Amp. (discontinued — use 141468)	
†	Floodlight, 90 W.	532701
10	Gasket for spotlight	580191
	Light fixture with gasket	532711
	Light box assembly, includes 7 & 8	141468
11	Window assembly, complete, includes	140554
	Window spacers (4 required)	525931
	Window knobs (4 required)	510461
	Window frame	760291
†	Window gasket, 6'	524451
*	Window safety glass Δ	510401
12	Gasket, upper door, 3/4" x 3/4"	
	2436 cabinets, 6' (Specify length.)	524441
	2448 cabinets, 7' (Specify length.)	524441
*	Blast hose, 1/2" I.D., 7' (Specify length.)	520861
13 †	Air hose, 1/2" I.D., 7' (Specify length.)	520861
	Clamp for 1/2" air hose (2 required)	521091
	Grommet for 1/2" hose (2 required)	523921
14 *	Blast gun, MH-4 (See page D4 for details.)	
15 †	Chain, 21" (2 required)	770691
16	Door handle (2 required) (Specify right or left.)	771641
	Handle cover (2 required) (Specify right or left.)	509571

Item	Description	Part#
17 *	Rubber gloves, pair	509891
*	Rubber glove, left hand	510821
18	Gasket, lower door, 3/4" x 3/4", sides and bottom (Specify length in feet.)	
	2340 cabinets, 8'	524441
	2436 cabinets, 6'	524441
	2448 cabinets, 7'	524441
*	Gasket, lower door, 1/4" x 1", top lip (Specify length in feet.)	
19	2436 cabinets, 3'	523622
	2448 cabinets, 4'	523622
19	Clamps for gloves, 8" (two)	520561
	Glove hole flange, plastic (not shown)	555016
20	Foot-treadle assembly without regulator for Series "B" cabinets	140717
	Foot-treadle assembly with regulator for Series "A" cabinets	140718
	Valve, foot treadle	517031
21	Regulator for Series "A" cabinets	517301
	Repair kit for 517301 regulator	508201
22	Gauge, Series "A" cabinets	550242
	Optional Blast Interlock Assembly (Includes items 23 through 27 for customer installation)	140377
23	Valve	517031
24	Fitting, 1/2" hose x 3/8" MPT	520372
25	Hose clamp	520502
26	1/2" air hose (5' required) (Specify length.)	520861
27	Bracket, interlock	770741
28	Piston plate	517812

PARTS NOT SHOWN ON DRAWING

•	Spring, clean-out door	510961
•	Decal (Instructions/Warning), door	567361
•	Decal (Instructions/Warning), cabinet	567391

* Recommended spare part — Consumable wear item

† Essential component to prevent downtime

Δ Failure to replace glass with Empire safety glass could result in serious injury.

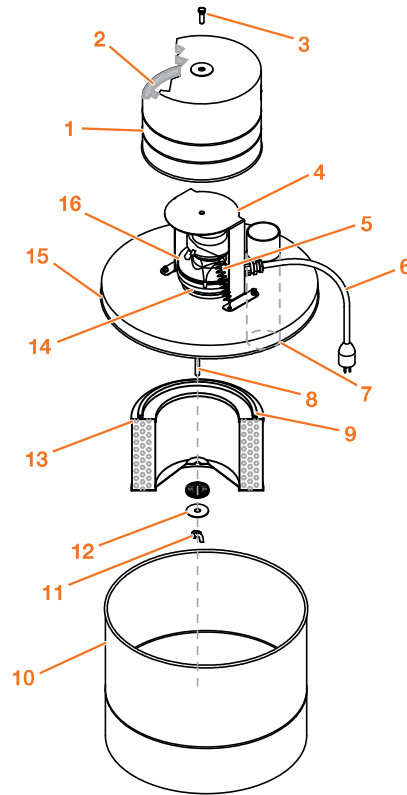


Parts: Econo-Finish® Dust Collectors

DC-16 Dust Collector (Part # 117216)

Item	Description	Part#
1	Sound attenuator cover	770962
2	Hush cloth, 1/2" x 7" x 8 1/4" (5 pieces)	525051
3	Bolt, hex head, 3/8"-16 x 1 1/4"	551852
4	Bracket, sound attenuator	772356
5	Spring extension	515741
6	Line cord, 120 V	529601
7	Gasket tape, lid, 3'	800166
8	Threaded rod	770067
9	Gasket	523341
10	Drum, 16 gallon	504016
11	Wing nut, 3/8"-16	553992
12	Flat washer, 3/8"	552892
13 *	Filter cartridge	504771
14	Gasket, fan (two required)	524362
15	Lid weldment	770684
16	Blower, 120 V, 60 Hz, Single phase, 133 CFM	515761

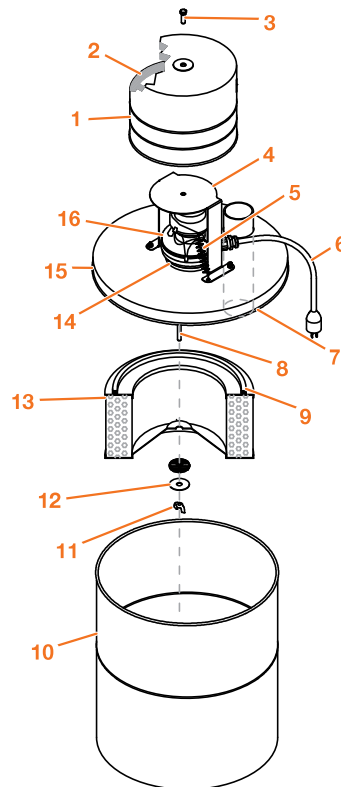
* Recommended spare part—Consumable wear item
 † Essential component to prevent downtime



DC-30 Dust Collector (Part # 117230)

Item	Description	Part#
1	Sound attenuator cover	770962
2	Hush cloth, 1/2" x 7" x 8 1/4" (5 pieces)	525051
3	Bolt, hex head, 3/8"-16 x 1 1/4"	551852
4	Bracket, sound attenuator	772356
5	Spring extension	515741
6	Line cord, 120 V	529601
7	Gasket tape, lid, 3'	800166
8	Threaded rod	770067
9	Gasket	523341
10	Drum, 30 gallon	504014
11	Wing nut, 3/8"-16	553992
12	Flat washer, 3/8"	552892
13 *	Filter cartridge	504771
14	Gasket, fan (2 required)	524362
15	Lid weldment	770684
16	Blower, 120 V, 60 Hz, Single phase, 133 CFM	515761

* Recommended spare part—Consumable wear item
 † Essential component to prevent downtime



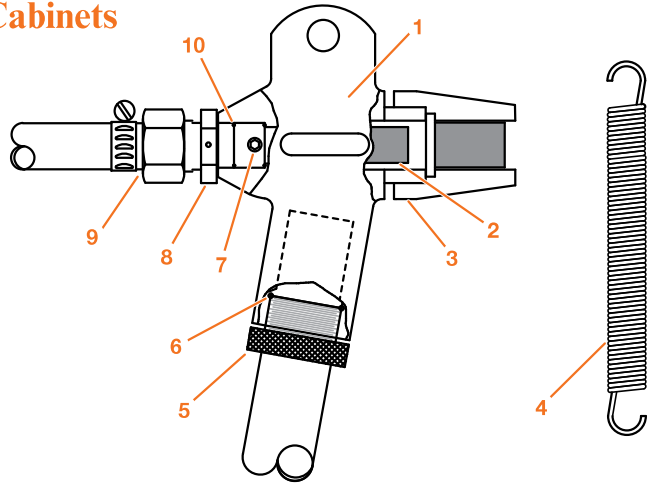
Contact Customer Service for replacement parts if your current dust collector has a clamp ring for the lid.



Parts: Econo-Finish® Blast Guns

MH-2A Suction Blast Gun for “A Series” Cabinets

Item	Description	PART#
	MH-2A gun, common components	140700
	MH-2A gun, 1/4" Di-Carb™ nozzle, 1/8" air jet	140701
	MH-2A gun, 1/4" ceramic nozzle, 1/8" air jet (standard)	140702
	MH-2A gun, 7/16" Di-Carb™ nozzle, 7/32" air jet	140703
	MH-2A gun, 1/4" boron nozzle™, 1/8" air jet	140704
	MH-2A gun, 5/16" boron nozzle, 5/32" air jet	140705
	MH-2A gun, 7/16" boron nozzle, 7/32" air jet	140706
	MH-2A gun, 5/16" ceramic nozzle, 5/32" air jet	140708
1 *	Gun body, long handle	735551
2 *	Air jet, 5/32" (green)	505671
3 *	Nozzle adapter, plastic	505641
4	Spring, suction-gun assist	511251
5	Nut, hose clamp, MH-2A	520081
6	O-ring 1 1/16" ID x 1 5/16" OD	523881
7	Set screw, 1/4" – 20 x 3/8"	551052
8	Connector, MH-2	505631
9	Hose barb, 1/2" FPT x 1/2" hose	520402
10	O-ring, 1/2" ID x 5/8" OD (2 required)	523912



* Recommended spare part—Consumable wear item
 † Essential component to prevent downtime

Nozzles for MH-2A Guns

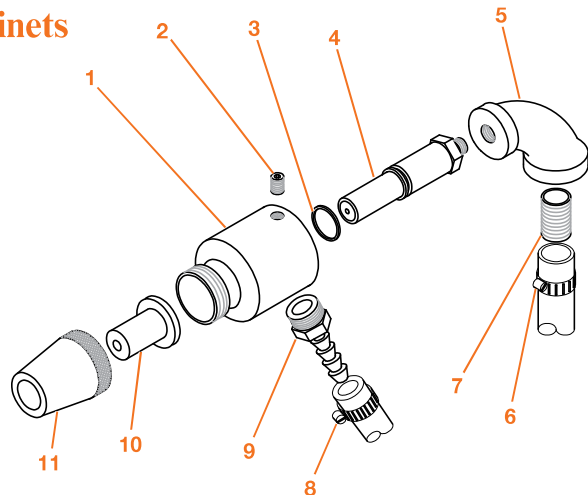
Diameter (#)	1/4" (#4)	5/16" (#5)	7/16" (#7)
PART NUMBERS			
Ceramic (each)	502421	502431	502441
Ceramic (10 pack)	503341	503351	503361
Di-Carb™ (each)	501331	501341	501351
Boron (each)	502071	502081	502091

Air Jets for MH-2A Guns

Diameter	Designation	Note	PART#
3/32"	orange		505651
1/8"	yellow		505661
5/32"	green	Standard	505671
3/16"	blue		505681
7/32"	white		505691
1/4"	red		505701

MH-4 Suction Blast Gun for “B Series” Cabinets

Item	Description	PART#
	MH-4 gun, 1/4" ceramic nozzle, 3/32" air jet (standard)	140721
	MH-4 gun, 5/16" ceramic nozzle, 1/8" air jet	140722
	MH-4 gun, 1/4" Di-Carb™ nozzle, 3/32" air jet	140723
	MH-4 gun, 5/16" Di-Carb™ nozzle, 1/8" air jet	140724
1	Suction head	505331
2	Set screw, 1/4" – 20 x 3/8"	551052
3	O-ring	523891
4 *	Air jet with O-ring, 1/8" (yellow) (standard)	504811
4 *	Air jet with O-ring, 3/32" (orange)	504821
5	Elbow, 1/4" x 1/8"	543912
6	Hose clamp (not included with gun)	521091
7	Nipple, 1/4"	545912
8	Hose clamp (not included with gun)	521091
9	Hose barb, 1/2" x 3/8" MPT	520372
10 *	Nozzle, ceramic, 1/4" (standard)	502661
11	Nozzle adapter (ceramic & Di-Carb nozzles)	504901
11	Nozzle adapter (Boron carbide nozzle only)	504921



Nozzles for MH-4 Guns

Diameter	1/4"	5/16"
PART NUMBERS		
Ceramic (each)	502661	502701
Ceramic (10 pack)	502401	502411
Di-Carb™ (each)	501311	501321
Boron carbide (each)	502101	NA

Boron carbide nozzle requires nozzle adapter, PN 504921

* Recommended spare part—Consumable wear item
 † Essential component to prevent downtime